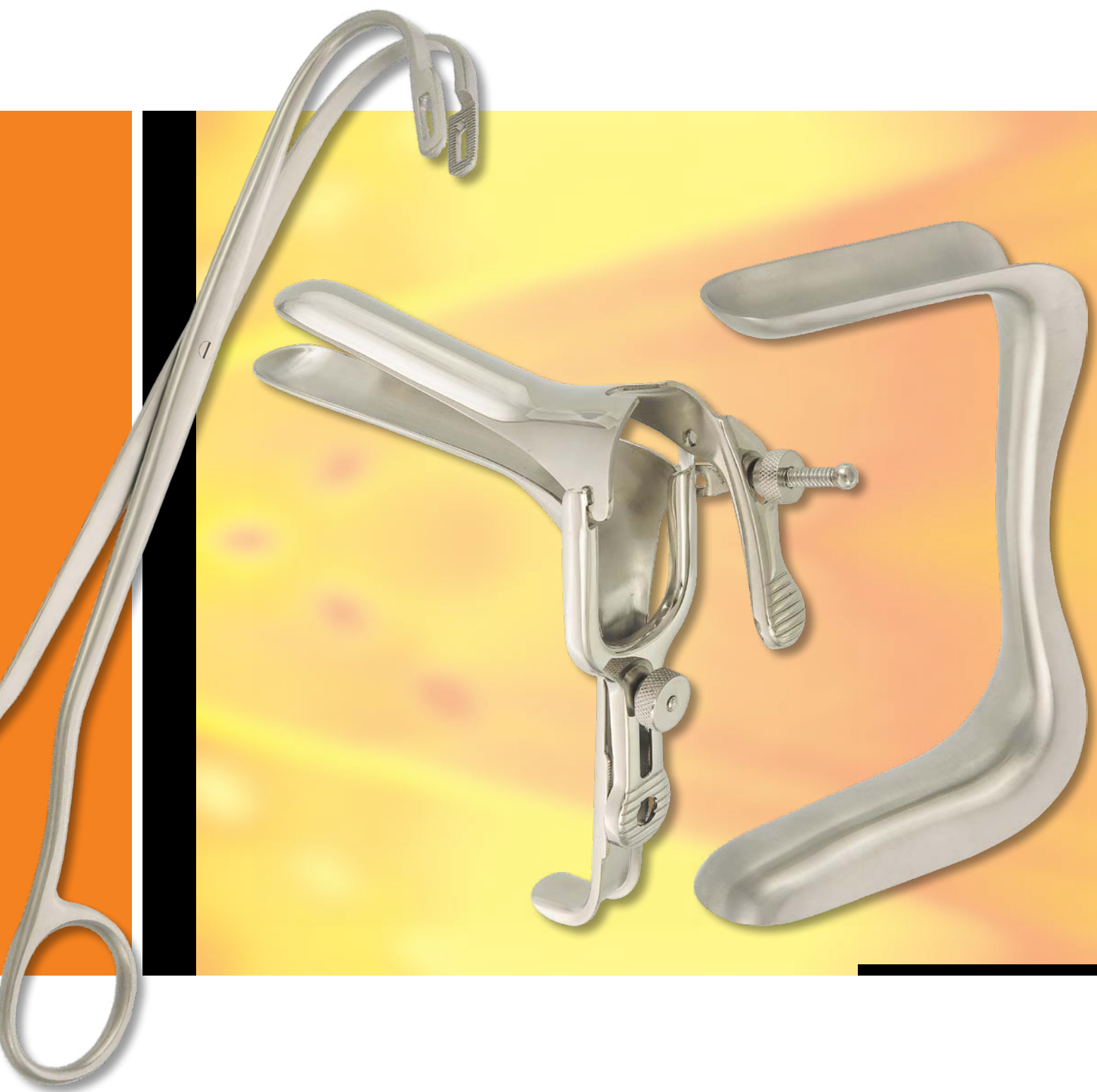


Gynecology & Urology **inside**med

Instruments - for Female & Male



GY**Gynecology**

1 - 20

GO**Obstetrics**

21 - 23

UU**Urology**

24 - 30



CUSCO
GY.110.01 75 x 32 mm
GY.110.02 85 x 37 mm
GY.110.03 100 x 35 mm



CUSCO
GY.112.01 75 x 18 mm



CUSCO
GY.114.01 90 x 22 mm
GY.114.02 100 x 25 mm
GY.114.03 105 x 27 mm



CUSCO
GY.116.01 75 x 34 mm
GY.116.02 85 x 37 mm
GY.116.03 100 x 37 mm



PEDERSON
GY.128.01 75 x 13 mm
GY.128.02 100 x 24 mm
GY.128.03 120 x 28 mm



GRAVE
GY.130.01 75 x 20 mm
GY.130.02 95 x 35 mm
GY.130.03 115 x 35 mm



COLLIN
GY.120.01 85 x 30 mm
GY.120.02 100 x 35 mm
GY.120.03 110 x 40 mm



SEMM
GY.132.01 100 x 20-25 mm
GY.132.02 100 x 27-35 mm



KRISTELLER

- GY.182.01** 70 x 27 mm Fig. 1
- GY.182.02** 80 x 30 mm Fig. 2
- GY.182.03** 90 x 36 mm Fig. 3



KRISTELLER

- GY.183.01** 70 x 23 mm Fig. 1
- GY.183.02** 85 x 26 mm Fig. 2
- GY.183.03** 100 x 32 mm Fig. 3



KRISTELLER

- GY.185.01** Fig. 1 (GY.182.01), (GY.183.01)
- GY.185.02** Fig. 2 (GY.182.02), (GY.183.02)
- GY.185.03** Fig. 3 (GY.182.03), (GY.183.03)



KRISTELLER

- GY.190.01** 105 x 18 mm Fig. 1
- GY.190.02** 110 x 21 mm Fig. 2



KRISTELLER

- GY.191.01** 110 x 14 mm Fig. 1
- GY.191.02** 115 x 17 mm Fig. 2



KRISTELLER

- GY.195.01** Fig. 1 (GY.190.01), (GY.191.01)
- GY.195.02** Fig. 2 (GY.190.02), (GY.191.02)



flat speculum

KRISTELLER

GY.196.01	105 x 26 mm	Fig. 1
GY.196.02	105 x 28 mm	Fig. 2
GY.196.03	105 x 33 mm	Fig. 3



flat speculum

KRISTELLER

GY.197.01	115 x 22 mm	Fig. 1
GY.197.02	115 x 24 mm	Fig. 2
GY.197.03	115 x 29 mm	Fig. 3



flat speculum

KRISTELLER

GY.199.01	Fig. 1 (GY.196.01), (GY.197.01)	
GY.199.02	Fig. 2 (GY.196.02), (GY.197.02)	
GY.199.03	Fig. 3 (GY.196.03), (GY.197.03)	



deep speculum

KRISTELLER

GY.202.01	110 x 28 mm	Fig. 1
GY.202.02	110 x 30 mm	Fig. 2
GY.202.03	110 x 36 mm	Fig. 3



deep speculum

KRISTELLER

GY.203.01	115 x 23 mm	Fig. 1
GY.203.02	115 x 26 mm	Fig. 2
GY.203.03	115 x 32 mm	Fig. 3



deep speculum

KRISTELLER

GY.205.01	Fig. 1 (GY.202.01), (GY.203.01)	
GY.205.02	Fig. 2 (GY.202.02), (GY.203.02)	
GY.205.03	Fig. 3 (GY.202.03), (GY.203.03)	



KALLMORGEN
GY.232.01 70 x 40 mm Fig. 1
GY.232.02 90 x 40 mm Fig. 2



KALLMORGEN
GY.233.01 70 x 37 mm Fig. 1
GY.233.02 90 x 37 mm Fig. 2



KALLMORGEN
GY.235.01 Fig. 1 (**GY.232.01**), (**GY.232.01**)
GY.235.02 Fig. 2 (**GY.232.02**), (**GY.232.02**)



SIMS
GY.160.01 65 x 25 / 70 x 30 mm
GY.160.02 65 x 25 / 80 x 35 mm
GY.160.03 65 x 25 / 90 x 40 mm



JACKSON
GY.165.01 75 x 38 mm
GY.165.02 90 x 38 mm
GY.165.03 100 x 38 mm



75 x 43 mm

GY.310.22
23.5 cm/9 1/4"
complete, with
detachable weight
GY.310.90
Weight only

AUVARD



DOYEN

GY.249.01	58 x 35 mm
GY.249.02	88 x 35 mm
GY.249.03	118 x 35 mm
GY.250.01	60 x 47 mm
GY.250.02	78 x 47 mm
GY.250.03	120 x 47 mm
GY.250.04	165 x 47 mm
GY.251.01	55 x 60 mm
GY.251.02	85 x 60 mm
GY.251.03	115 x 60 mm

BREISKY

GY.323.20	100 x 20 mm	29.5 cm/11½"
GY.323.25	100 x 25 mm	29.5 cm/11½"
GY.323.30	100 x 30 mm	29.5 cm/11½"
GY.323.35	100 x 35 mm	29.5 cm/11½"
GY.323.40	100 x 40 mm	29.5 cm/11½"
GY.324.20	130 x 20 mm	32.0 cm/12¾"
GY.324.25	130 x 25 mm	32.0 cm/12¾"
GY.324.30	130 x 30 mm	32.0 cm/12¾"
GY.324.35	130 x 35 mm	32.0 cm/12¾"
GY.324.40	130 x 40 mm	32.0 cm/12¾"
GY.325.40	160 x 40 mm	35.0 cm/14"

DOYEN

GY.342.24	25 cm/10"
------------------	-----------

Uterine Dilators

Endocervical Specula



KOGAN
GY.381.24
24.5 cm/9½"



KOGAN
GY.383.24
24.5 cm/9½"



GOODELL
GY.383.34
34 cm/13½"



HEGAR
18.5 cm/7¼"

	Diameter		Diameter
GY.400.01	Ø 1.0 mm	GY.401.01	Ø 1.5 mm
GY.400.02	Ø 2.0 mm	GY.401.02	Ø 2.5 mm
GY.400.03	Ø 3.0 mm	GY.401.03	Ø 3.5 mm
GY.400.04	Ø 4.0 mm	GY.401.04	Ø 4.5 mm
GY.400.05	Ø 5.0 mm	GY.401.05	Ø 5.5 mm
GY.400.06	Ø 6.0 mm	GY.401.06	Ø 6.5 mm
GY.400.07	Ø 7.0 mm	GY.401.07	Ø 7.5 mm
GY.400.08	Ø 8.0 mm	GY.401.08	Ø 8.5 mm
GY.400.09	Ø 9.0 mm	GY.401.09	Ø 9.5 mm
GY.400.10	Ø 10.0 mm	GY.401.10	Ø 10.5 mm
GY.400.11	Ø 11.0 mm	GY.401.11	Ø 11.5 mm
GY.400.12	Ø 12.0 mm	GY.401.12	Ø 12.5 mm
GY.400.13	Ø 13.0 mm	GY.401.13	Ø 13.5 mm
GY.400.14	Ø 14.0 mm	GY.401.14	Ø 14.5 mm
GY.400.15	Ø 15.0 mm	GY.401.15	Ø 15.5 mm
GY.400.16	Ø 16.0 mm	GY.401.16	Ø 16.5 mm
GY.400.17	Ø 17.0 mm	GY.401.17	Ø 17.5 mm
GY.400.18	Ø 18.0 mm		
GY.400.19	Ø 19.0 mm		
GY.400.20	Ø 20.0 mm		
GY.400.21	Ø 21.0 mm		
GY.400.22	Ø 22.0 mm		
GY.400.23	Ø 23.0 mm		
GY.400.24	Ø 24.0 mm		
GY.400.25	Ø 25.0 mm		
GY.400.26	Ø 26.0 mm		

GY.400.80
set of 14 pieces (full sizes) from 4,0 to 17,0 mm without case

GY.400.84
set of 14 pieces (full sizes) from 4,0 to 17,0 mm in metal case

GY.400.90
set of 26 pieces (full sizes) from 1,0 to 26,0 mm without case

GY.400.98
metal case only, for Ø 4-17 mm



HEGAR
20 cm/8"

	Diameter
GY.430.02	Ø 1.0 / 2.0 mm
GY.430.04	Ø 3.0 / 4.0 mm
GY.430.06	Ø 5.0 / 6.0 mm
GY.430.08	Ø 7.0 / 8.0 mm
GY.430.10	Ø 9.0 / 10 mm
GY.430.12	Ø 11 / 12 mm
GY.430.14	Ø 13 / 14 mm
GY.430.16	Ø 15 / 16 mm
GY.430.18	Ø 17 / 18 mm
GY.430.20	Ø 19 / 20 mm
GY.430.22	Ø 21 / 22 mm
GY.430.24	Ø 23 / 24 mm
GY.430.26	Ø 25 / 26 mm



GY.430.82 (Set of 8)
(Ø 3.0 / 4.0 to 17.0 / 18.0 mm)
in canvas roll

GY.430.80 (Set of 8)
(Ø 3.0 / 4.0 to Ø 17.0 / 18.0 mm)
without canvas roll

GY.430.86 (Set of 13)
(Ø 1.0 / 2.0 to Ø 25 / 26 mm)
with canvas roll

American scale



HANK
26.5 cm/10½"

	Diameter	Fig
GY.460.10	Ø 4.5 / 5.0 mm	9 / 10
GY.460.12	Ø 5.5 / 6.0 mm	11 / 12
GY.460.14	Ø 6.5 / 7.0 mm	13 / 14
GY.460.16	Ø 7.5 / 8.0 mm	15 / 16
GY.460.18	Ø 8.5 / 9.0 mm	17 / 18
GY.460.20	Ø 9.5 / 10 mm	19 / 20



GY.460.82
set of 6 Pices in boilable canvas roll



Ø 4 mm
rigid



SIMS
GY.583.32
33 cm/13"

Ø 4 mm
malleable



SIMS
GY.584.32
33 cm/13"

Ø 4 mm



VALLEIX
GY.593.25
27 cm/10½"

Uterine Depressor



BRAUN
GY.596.26
27 cm/10½"



SCHROEDER
GY.622.25
25,5 cm/10"



BRAUN
GY.628.25
26 cm/10¼"



DUPLAY
GY.645.28
28 cm/11"



BEACHAM
GY.659.26
26 cm/10¼"



SCHROEDER
GY.682.24
25 cm/9½"



SKENE
GY.663.24
24 cm/9½"



TEALE
GY.697.23
23 cm/9"



IOWA
GY.699.26
26 cm/10"



GY.702.24
7 mm



GY.704.24
9 mm



GY.706.24
10 mm

4 x 4



GY.734.26
26.5 cm/10½"

4 x 4



CZERNY
GY.740.21
21 cm/8¼"

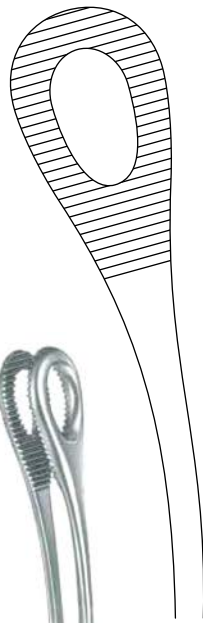
4 x 4



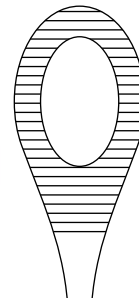
BRAUN
GY.738.16
16 cm/6¼"

MUSEUX
24 cm/9½"





KELLY
GY.741.32
31.5 cm/12³/₄"



NOTO
GY.744.27
27 cm/10¹/₂"



HEYWOOD-SMITH
GY.745.25
26 cm/10¹/₄"



JACOBS
GY.728.21
21 cm/8¹/₄"



DARTIGUES
GY.773.27
27 cm/10½"

SOMER
GY.779.23
22.5 cm/9"

COLLIN
GY.793.25
26 cm/10¼"



Myoma Screws

DOYEN
GY.758.17
17 cm/6¾"

DOYEN
GY.760.17
15 cm/6"

Myoma Knife

Suction Curettes

Conization Knife



AYRE
GY.801.23
23.5 cm/9¼"

EMMETT
GY.804.03
23 cm/9"

SIMON
GY.806.22
21.5 cm/8½"

SIMON
GY.808.22
21.5 cm/8½"

SEGOND
GY.762.27
28 cm/11"

NOVAK
GY.825.23
24.5 cm/9½"

KEVORKIAN
GY.827.30
30 cm/11¾"



GELLHORN
GY.841.23
 24 cm/9½"

FAURE
GY.843.21
 21 cm/8¼"

SCHUBERT
GY.846.21 21.5 cm/8½"
GY.846.28 28.0 cm/11"

THOMS-GAYLOR
GY.851.22 21 cm/8¼"
GY.851.24 24.0 cm/9"



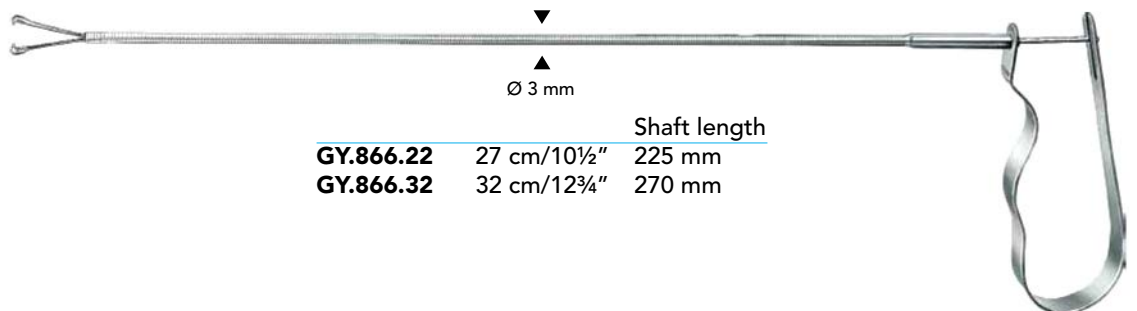
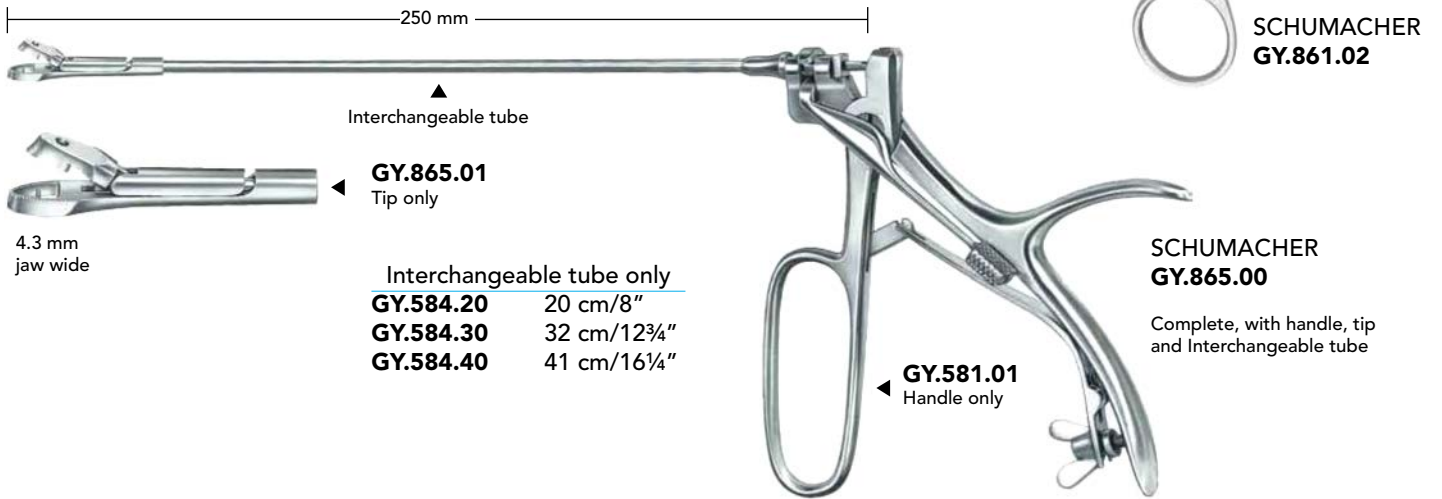
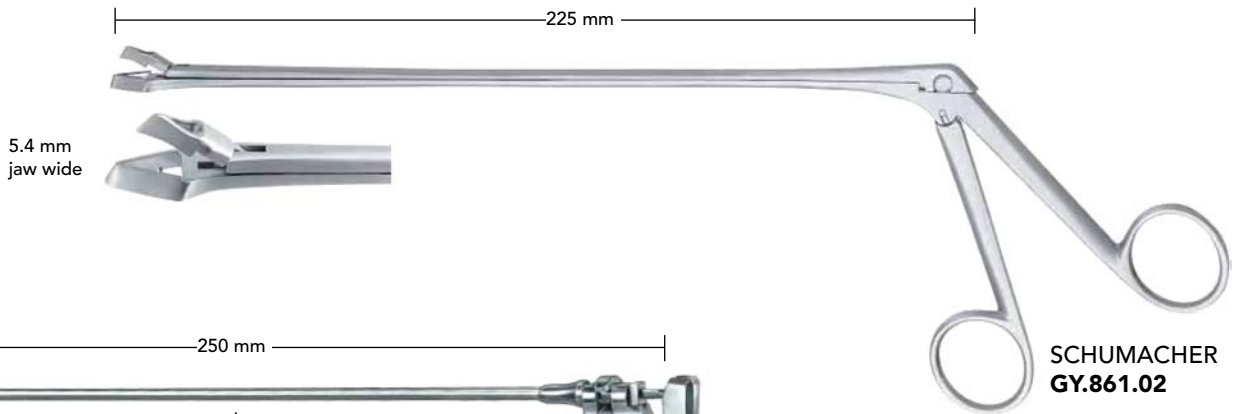
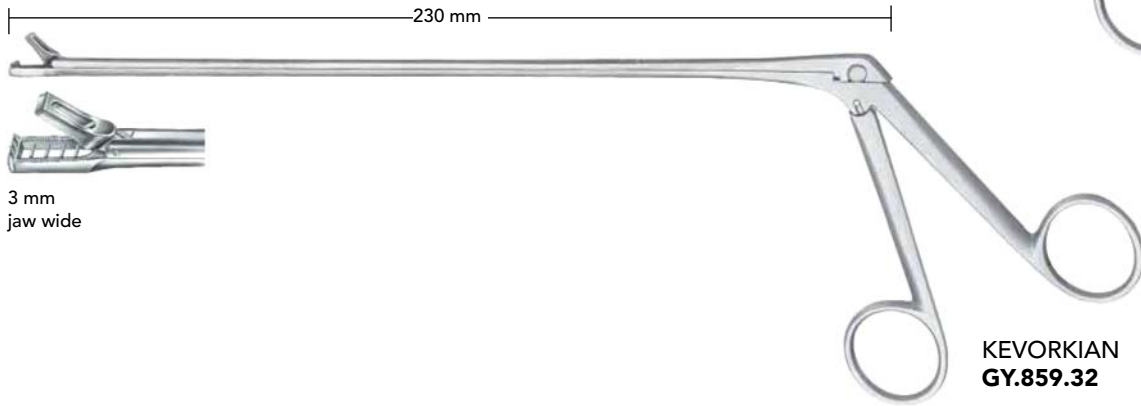
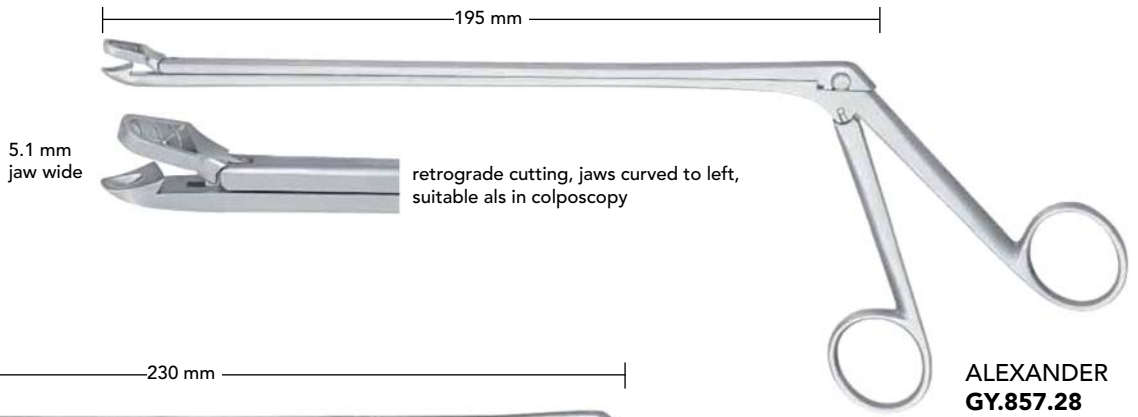
SCHUBERT
GY.853.26
24 cm/9½"



VAN DOREN
GY.855.24
27 cm/10½"



VAN DOREN
GY.855.25
25.5 cm/10"





SIMON
23.5 cm/9¼"

Fig. 1	GY.900.01	10 x 7 mm
Fig. 2	GY.900.02	12 x 8 mm
Fig. 3	GY.900.03	13 x 10 mm
Fig. 4	GY.900.04	16 x 12 mm
Fig. 5	GY.900.05	18 x 13 mm
Fig. 6	GY.900.06	20 x 15 mm



SIMON
24 cm/9½"

GY.906.01	10 x 7 mm
GY.906.02	12 x 8 mm
GY.906.03	13 x 10 mm
GY.906.04	16 x 12 mm
GY.906.05	18 x 13 mm
GY.906.06	20 x 15 mm



13 mm
blunt

8 mm
sharp

BLAKE
GY.919.00
27.5 cm/10¾"



GREENE
28 cm/11"
GY.924.10 10 mm
GY.924.12 12 mm
GY.924.14 14 mm

Suction Curettes



Coupling
Piece

GY.989.50
11 cm/4¼"

29 cm/11¾"

GY.989.03	Ø 3.0 mm
GY.989.04	Ø 4.5 mm
GY.989.06	Ø 6.0 mm
GY.989.08	Ø 8.0 mm
GY.989.10	Ø 10 mm
GY.989.12	Ø 12 mm
GY.989.14	Ø 14 mm



RECAMIER
GY.920.05-
GY.920.40

RECAMIER
GY.921.05-
GY.921.40

SIMS
GY.926.05-
GY.926.40

SIMS
GY.927.05-
GY.927.40

RECAMIER

Fig.	Tip width	Sharp, rigid	Sharp, malleable
00	5 mm	GY.920.05	GY.921.05
0	6 mm	GY.920.06	GY.921.06
1	7 mm	GY.920.07	GY.921.07
2	8 mm	GY.920.08	GY.921.08
3	9 mm	GY.920.09	GY.921.09
4	11 mm	GY.920.11	GY.921.11
5	12 mm	GY.920.12	GY.921.12
6	14 mm	GY.920.14	GY.921.14
7	15 mm	GY.920.15	GY.921.15
8	16 mm	GY.920.16	GY.921.16
9	19 mm	GY.920.19	GY.921.18
10	20 mm	GY.920.20	GY.921.20
11	21 mm	GY.920.21	GY.921.21
12	23 mm	GY.920.23	GY.921.23
13	25 mm	GY.920.25	GY.921.25
14	30 mm	GY.920.30	GY.921.30
15	35 mm	GY.920.35	GY.921.35
16	40 mm	GY.920.40	GY.921.40

SIMS

Fig.	Tip width	Blunt, rigid	Blunt, malleable
00	5 mm	GY.926.05	GY.927.05
0	6 mm	GY.926.06	GY.927.06
1	7 mm	GY.926.07	GY.927.07
2	8 mm	GY.926.08	GY.927.08
3	9 mm	GY.926.09	GY.927.09
4	11 mm	GY.926.11	GY.927.11
5	12 mm	GY.926.12	GY.927.12
6	14 mm	GY.926.14	GY.927.14
7	15 mm	GY.926.15	GY.927.15
8	16 mm	GY.926.16	GY.927.16
9	19 mm	GY.926.19	GY.927.18
10	20 mm	GY.926.20	GY.927.20
11	21 mm	GY.926.21	GY.927.21
12	23 mm	GY.926.23	GY.927.23
13	25 mm	GY.926.25	GY.927.25
14	30 mm	GY.926.30	GY.927.30
15	35 mm	GY.926.35	GY.927.35
16	40 mm	GY.926.40	GY.927.40



NAEGELE
36.5 cm/14½" **GO.141.36**
40.5 cm/16¼" **GO.141.40**



SIMPSON
GO.145.30
30.5 cm/12"



WRIGLEY
GO.146.28
28 cm/11"



SIMPSON
GO.149.36
36.5 cm/14¾"



KIELLAND
GO.195.07
41 cm/16½"



KIELLAND-LUIKART
GO.197.40
40 cm/16"



PIPER
GO.198.44
44.5 cm/17¾"



Pelvimeter

GO.103.34
35 cm/14"

Obstetrical Lever



SELLHEIM
GO.309.28
32 cm/12¾"

Umbilical Clamps



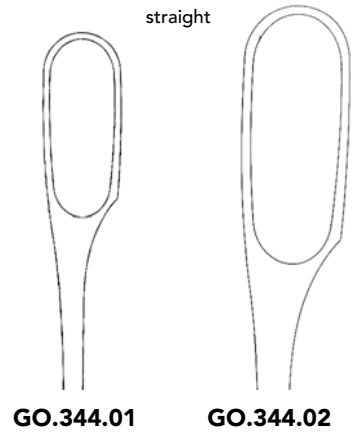
COLLIN
GO.465.09
8.5 cm/3½"



blunt, backside serrated

CUZZI
 30 cm/12" **GO.382.01**
 30 cm/12" **GO.382.02**
 30 cm/12" **GO.382.03**

PESTALOZZA
GO.386.30
 30.5 cm/12"



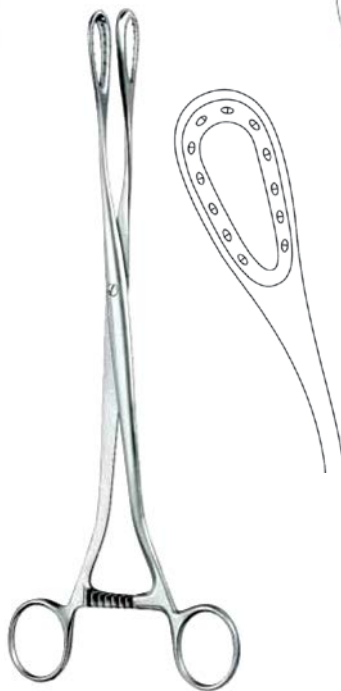
straight

GO.344.01 **GO.344.02**



Uterine Clamp

GREEN-ARMYTAGE
GO.300.21
 21 cm/8¼"



SAENGER
 27.5 cm/10¾"
GO.228.27 Straight
GO.229.27 Curved



curved

GO.344.03 **GO.344.04**

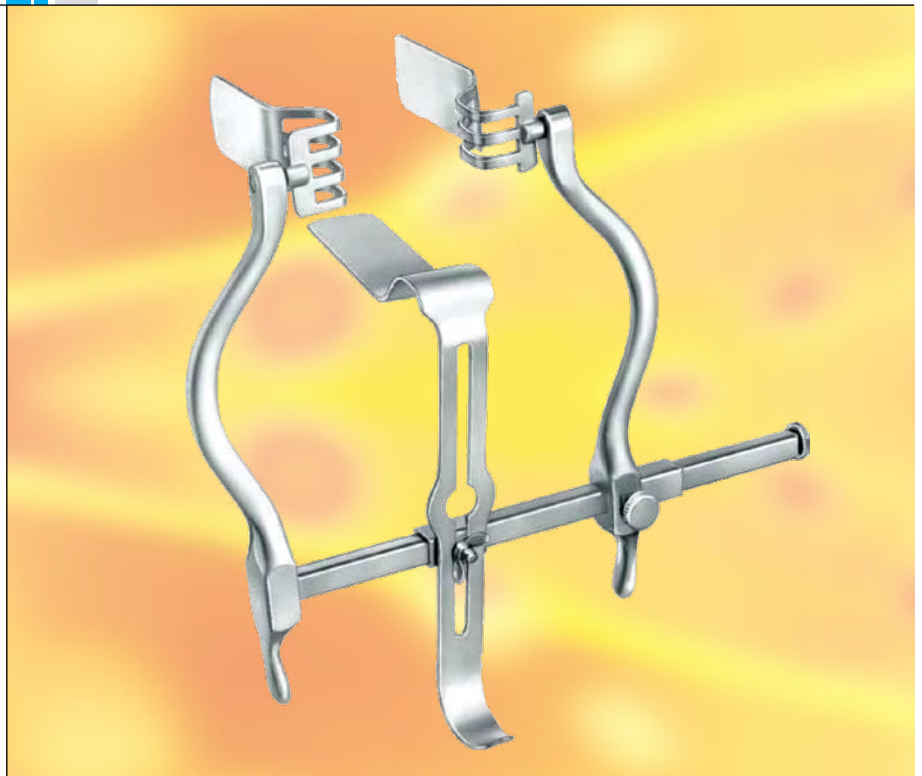


WINTER
 28 cm/11"



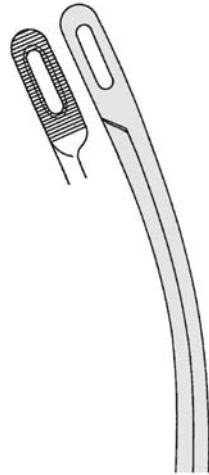
inside  **ed**

UROLOGY

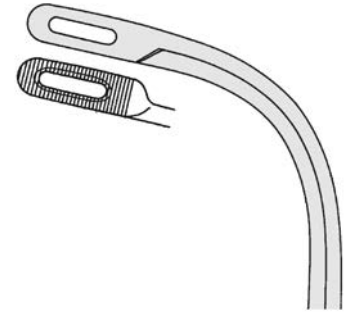




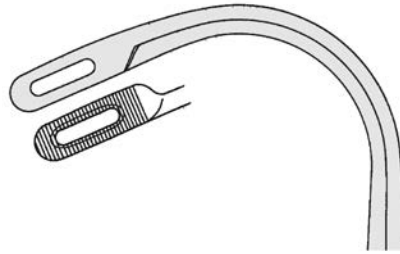
RANDALL



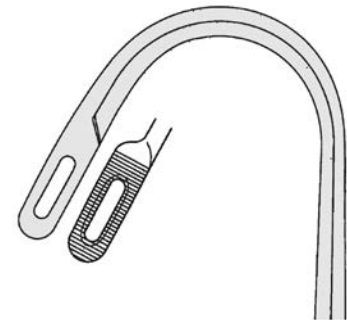
UU.101.23
23 cm/9"



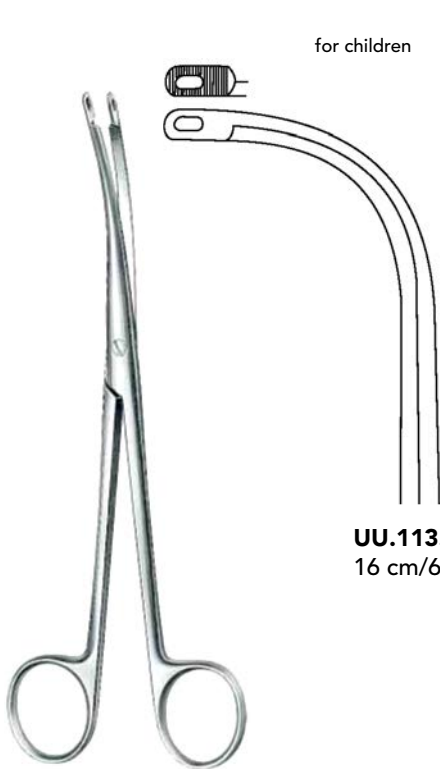
UU.103.22
21 cm/8¼"



UU.105.22
19 cm/7½"



UU.107.22
18.5 cm/7¼"



HEIMING

for children

UU.113.16
16 cm/6¼"



UU.113.17
17 cm/6¾"



BLAKE

Straight **UU.204.20** 21 cm/8¼"
Curved **UU.205.20** 20.5 cm/8"



MAYO-BLAKE

UU.214.20
21 cm/8¼"



MAYO-BLAKE

UU.215.20
21 cm/8¼"



Malleable Shaft

Ø 1 mm



UU.170.01
Fig. 1

Ø 2 mm



UU.170.02
Fig. 2

Ø 3 mm



UU.170.03
Fig. 3

Ø 4 mm



UU.170.04
Fig. 4

Ø 5 mm



UU.170.05
Fig. 5

Ø 6 mm



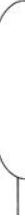
UU.170.06
Fig. 6

Ø 7 mm



UU.170.07
Fig. 7

Ø 8 mm



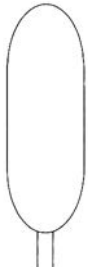
UU.170.08
Fig. 8

Ø 9 mm



UU.170.09
Fig. 9

Ø 10 mm



UU.170.10
Fig. 10

Ø 11 mm



UU.170.11
Fig. 11

Ø 12 mm



UU.170.12
Fig. 12

Ø 13 mm



UU.170.13
Fig. 13



BAKES
32 cm/12¾"

Malleable Shaft

Ø 2.7 mm



UU.340.01
Fig. 000

Ø 3.4 mm



UU.340.02
Fig. 00

Ø 4.3 mm



UU.340.03
Fig. 0

Ø 5.5 mm



UU.340.04
Fig. 1

Ø 6.6 mm



UU.340.05
Fig. 2

Ø 8.0 mm



UU.340.06
Fig. 3

Ø 11 mm



UU.340.04
Fig. 4

Ø 15 mm



UU.340.05
Fig. 5



LUER-KOERTE
32 cm/12¾"



MIXTER
UU.217.22
22 cm/8½"

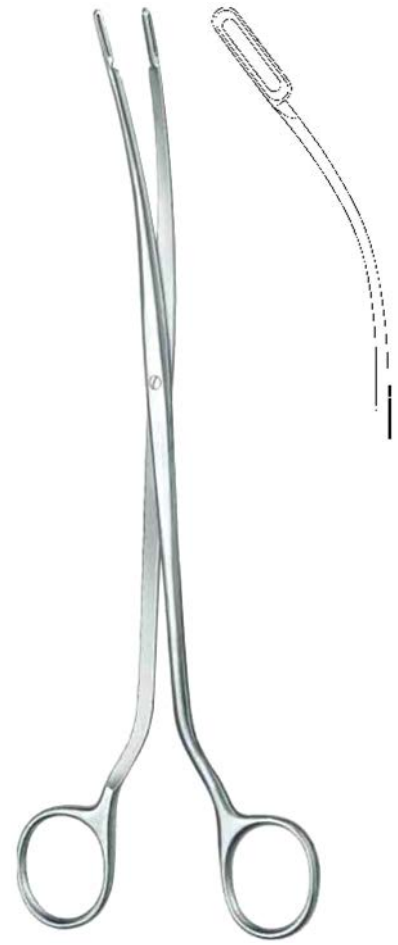


DESJARDINS
23 cm/9"

UU.223.23
Fig. 1



UU.225.23
Fig. 2



DESJARDINS
UU.226.25
22.5 cm/8¾"



ATRAUMA



MILLIN
UU.451.24
24.5 cm/9¾"



ATRAUMA



MILLIN
UU.453.24
22.5 cm/8¾"

Ligature Carrying Forceps



MILLIN
UU.461.24
24 cm/9"

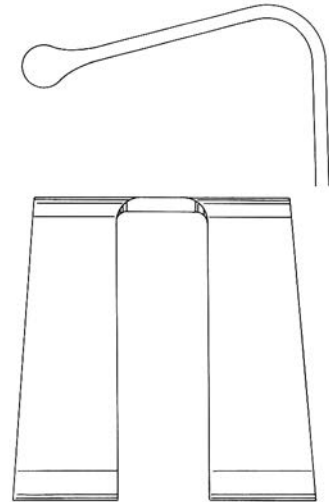
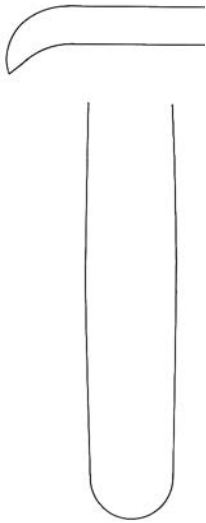


MILLIN
UU.461.23
24.5 cm/9¾"



MILLIN
UU.463.22
22 cm/8¾"

Ligature Carrying
Forceps



YOUNG
UU.401.21
22 cm/8 $\frac{3}{4}$ "



YOUNG
UU.405.21
22 cm/8 $\frac{3}{4}$ "



YOUNG
UU.407.22
23 cm/9"



JUDD-MASSON
UU.510.00



MILLIN
UU.512.00

complete, with 2 pairs of lateral blades
and 1 central blade without F.O tube

UU.512.90
57 x 25 mm

lateral blades only

UU.512.91
80 x 25 mm

lateral blades only

UU.512.92
120 x 45 mm

center blade only
without F.O tube



Bladder Neck
Spreader

MILLIN
UU.475.00
29.5 cm/11½"

Penis Clamps



STOCKMANN
UU.875.08
8 cm/3"



STRAUSS
UU.881.11
11 cm/4¼"

UU.881.90

1 pair of flexible
tubes only



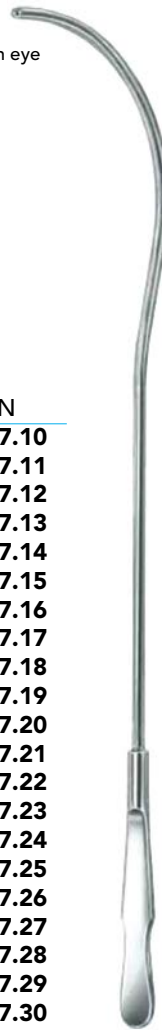
UU.599.00

Complete Set,
8 - 36 Charr.

Charr.	VAN BUREN
8	UU.599.08
10	UU.599.10
12	UU.599.12
14	UU.599.14
16	UU.599.16
18	UU.599.18
20	UU.599.20
22	UU.599.22
24	UU.599.24
26	UU.599.26
28	UU.599.28
30	UU.599.30
32	UU.599.32
34	UU.599.34
36	UU.599.36

VAN BUREN
27 cm/10¾"

with eye



Charr.	GUYON
10	UU.607.10
11	UU.607.11
12	UU.607.12
13	UU.607.13
14	UU.607.14
15	UU.607.15
16	UU.607.16
17	UU.607.17
18	UU.607.18
19	UU.607.19
20	UU.607.20
21	UU.607.21
22	UU.607.22
23	UU.607.23
24	UU.607.24
25	UU.607.25
26	UU.607.26
27	UU.607.27
28	UU.607.28
29	UU.607.29
30	UU.607.30

GUYON
26.5 cm/10½"

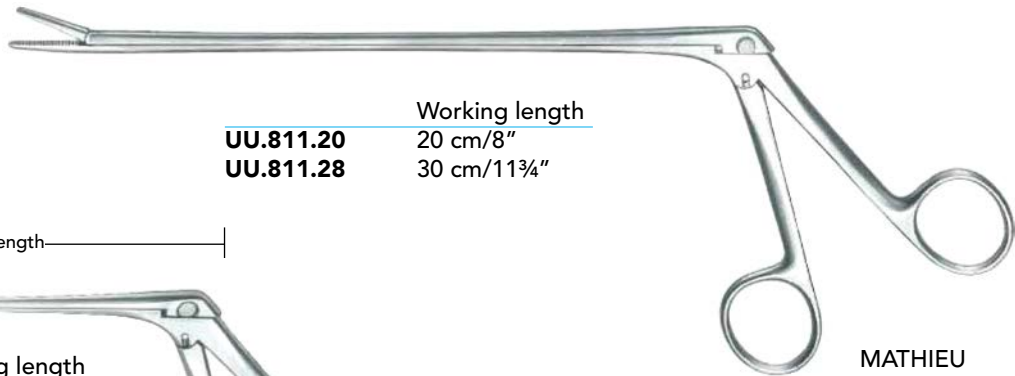
Metal Catheters,
for females



Charr.	
13	UU.721.12
15	UU.721.14

15 cm/6"

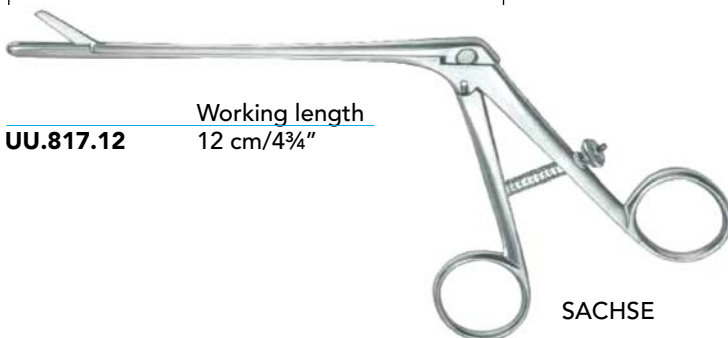
Working Length



	Working length
UU.811.20	20 cm/8"
UU.811.28	30 cm/11¾"

MATHIEU

Working Length



	Working length
UU.817.12	12 cm/4¾"

SACHSE